

EL 710 D4 O 01

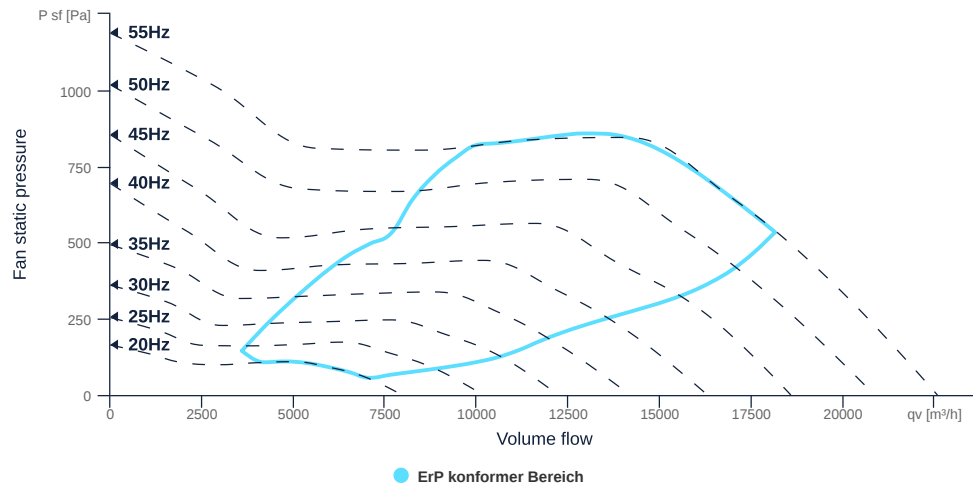
163097

- Innovative, high-efficiency diagonal fan
- Optimally tuned, CFD-optimized aerodynamics
- The benchmark for efficiency since 2007
- Efficient IE3 motor, frequency controllable
- Conveyed medium temperature up to 60 °C in continuous operation
- Housing made of aluminium AIMg3



FAN CURVES

Name	Value	Unit
Volume flow	0	m³/h
Pressure	0	Pa



to the product detail page

GENERAL DATA

Name	Value	Unit	Formula symbol
Labeling	CE, UKCA		
Duct size	-		WxH _{duct}
Pipe connection size (DN)	DN710		DN
Rated voltage (entire device)	400	V	U _{rated}
Phases (entire device)	3~		phase
Electrical protection (entire device)	10 A		fuse
Housing material	Aluminium		mat _{casing}
Impeller material	Aluminium		mat _{impeller}
Weight	63	kg	m
Fan type	Diagonal		Fan _{type}
Category / Installation situation	A		cat

MAXIMAL DATA

Name	Value	Unit	Formula symbol
Max. power consumption (device)	5015	W	P _{ed, max}
Max. operating current (device)	9.57	A	I _{ed, max}
Max. speed	1620	1/min	n _{max}
Max. stat. efficiency	63.2	%	η _{es}
Max. fan efficiency	67.9	%	η _e
Max. flowrate	22575	m ³ /h	Q _{v, max}
Max. stat pressure	1190	Pa	p _{sf, max}
Max. medium temperature	60	°C	T _{m, max}
Max. environment temperature	60	°C	T _{amb, max}
Min. environment temperature	-20	°C	T _{amb, min}



to the product detail page

MOTOR DATA

Name	Value		Unit	Formula symbol
	50 Hz	60 Hz		
Rated frequency (device)		50		f
Motor type		AC 3~		phase
Control type		frequency-controlled		ctrltype
Installation type		IRM (In)		install
Rotation direction		right		rotation
Isolation class		ISO F		ISOclass
Protection class		IP55		IPmotor
Is pole-changeable		No		polexch
Type of power supply		AC 3~		pwrsupmotor
Number of poles (1)		4.000000		num polesw1
Connection	Δ	Δ		wiringw1
Connection (wiring 2)	Y			wiringw2
Rated voltage	400	460	V	U _{rated, f1}
Rated voltage (wiring 2)	690		V	U _{rated, f2}
Rated current	8.34	7.48	A	I _{rated, f1}
Rated current (wiring 2)	4.83		A	I _{rated, f2}
Shaft power	4000	4000	W	P _{out, f1}
Shaft power (wiring 2)	4000		W	P _{out, f2}
Speed	1450	1755	1/min	n _{f1}
Speed (wiring 2)	1450		1/min	n _{f2}
Starting current	58.4	59.8	A	I _{start, f1}
Starting current (wiring 2)	33.8		A	I _{start, f2}
Efficiency	88.8	89.5	%	η _{m, f1}
Efficiency (wiring 2)	88.8		%	η _{m, f2}
Efficiency class	IE3	IE3		IE _{motor}
Min. temperature	-20	-20	°C	T _{motor, min}
Cos Phi	0.780000	0.750000		cos φ
UL-Certification motor		UL recognized		ULcert



to the product detail page

ERP DATA (LOT11)

Name	Value	Unit	Formula symbol
Speed at the energy efficiency optimum	1597	1/min	n_{opt}
Efficiency level	66.3	%	N
Efficiency category	statisch		catefficiency
Input power of the motor at the energy efficiency optimum	5.25	kW	$P_{e, opt}$
Overall efficiency	69.3	%	η_{ges}
Measurement category	A		meas cat
Fan pressure at energy efficiency optimum	824	Pa	p_f, opt
Flowrate at energy efficiency optimum	14617	m ³ /h	q_v, opt

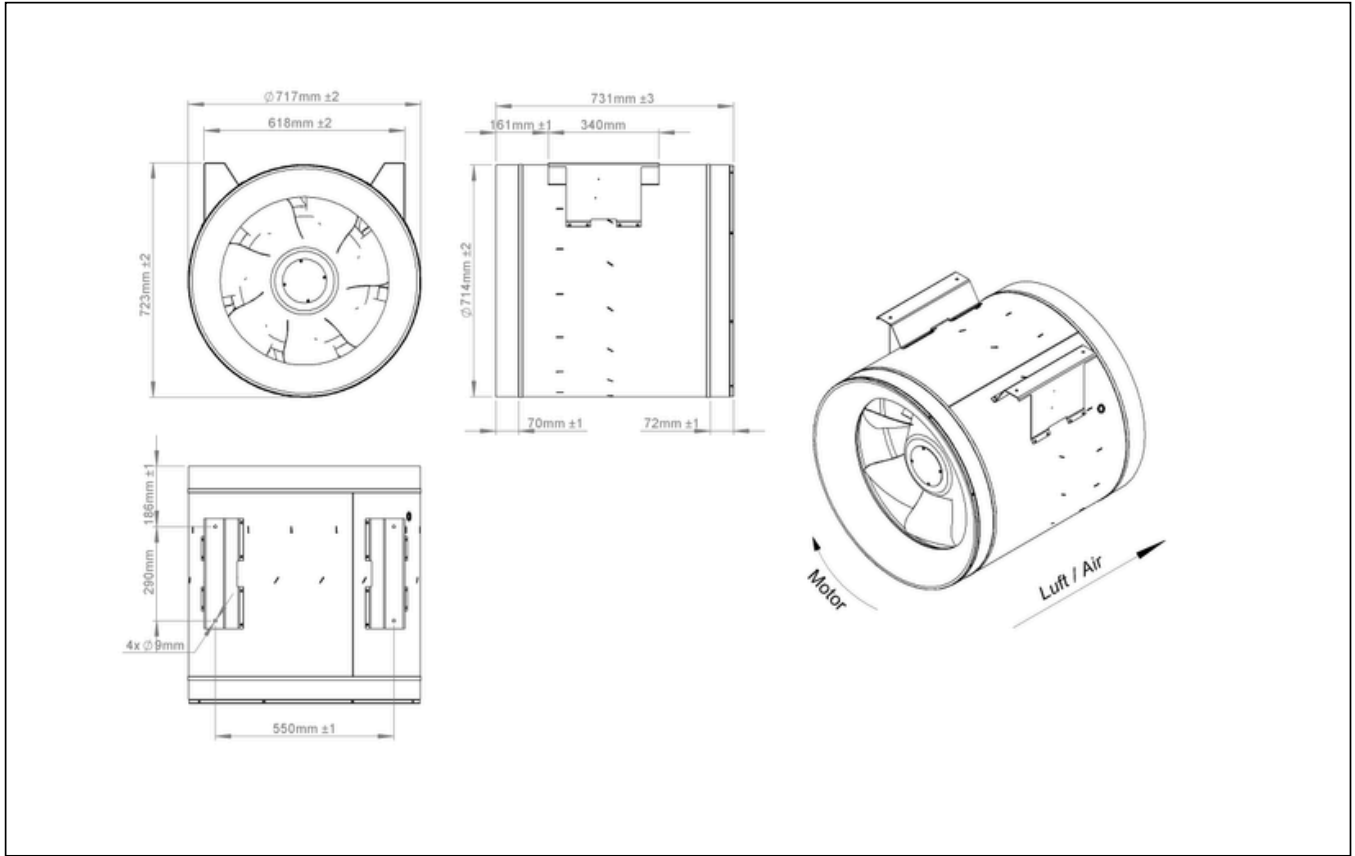


[to the product detail page](#)

EL 710 D4 O 01

163097

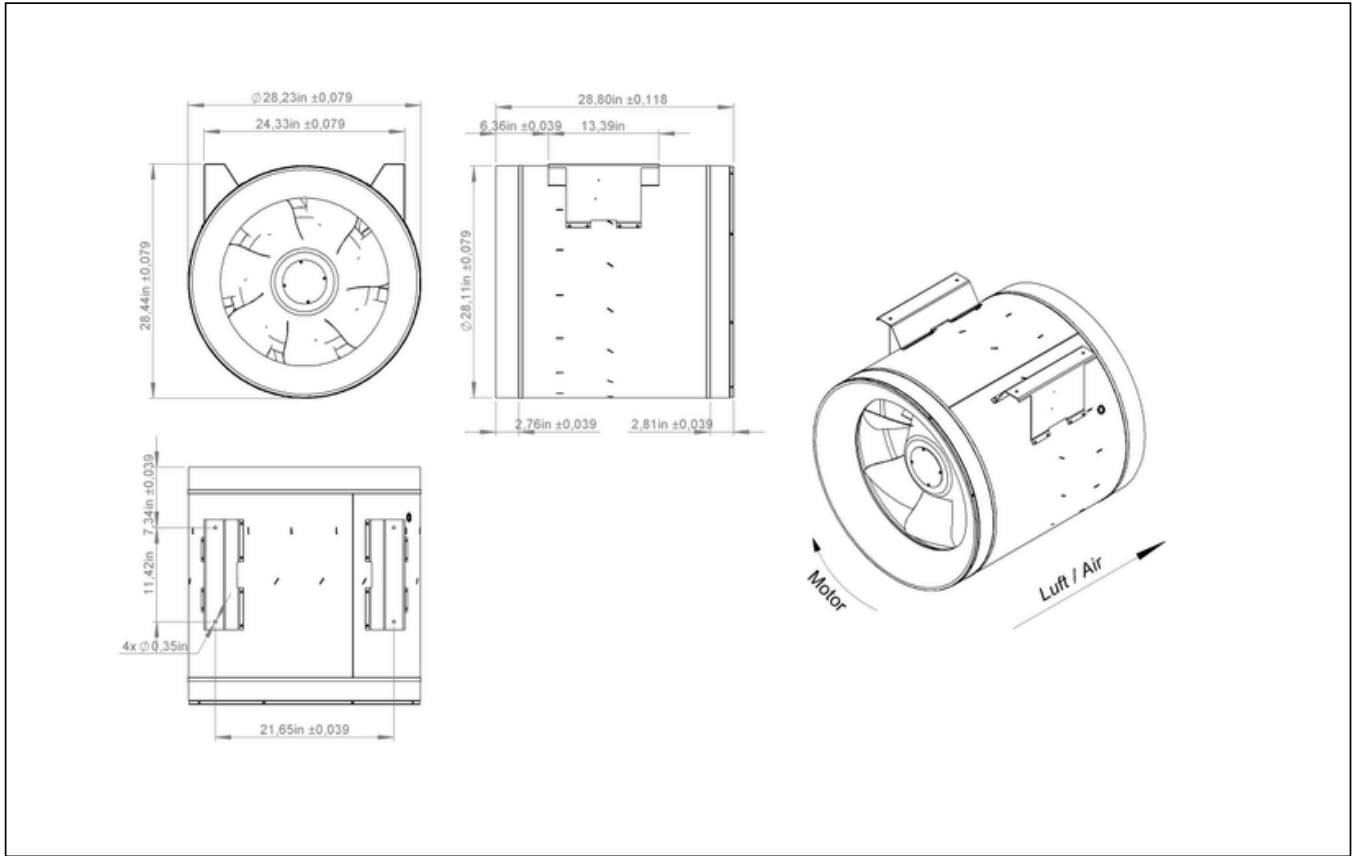
CIRCUIT DIAGRAMS / DIMENSIONAL DRAWINGS



to the product detail page

EL 710 D4 O 01

163097

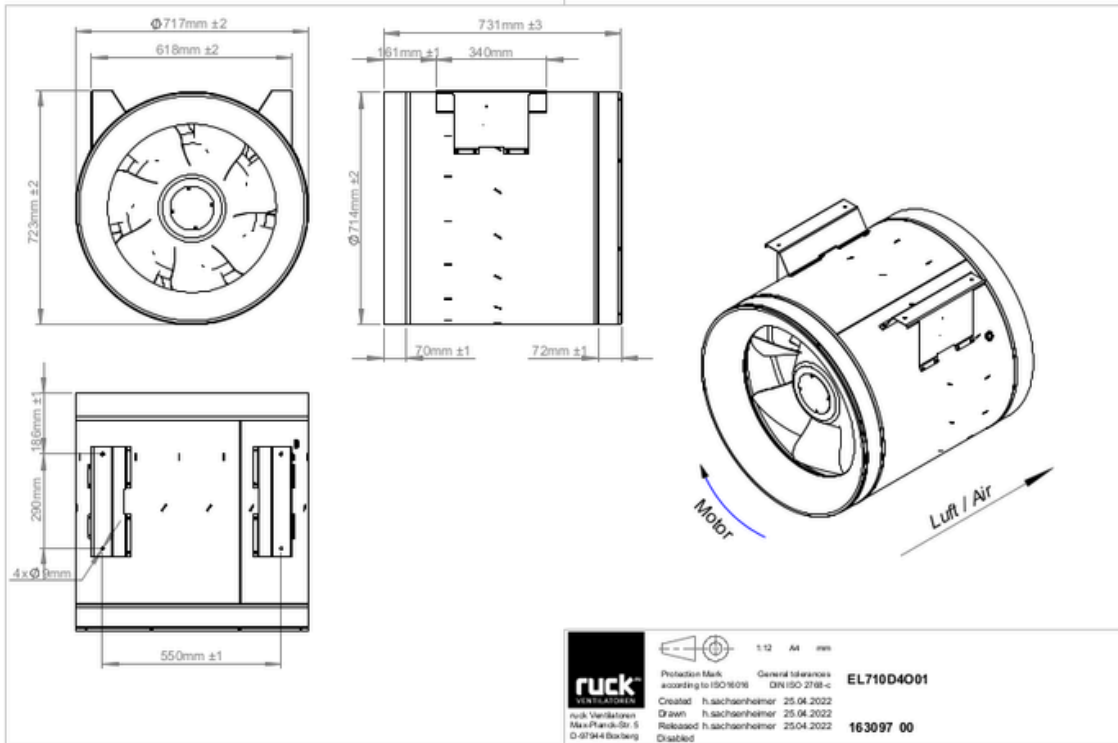


to the product detail page

EL 710 D4 O 01

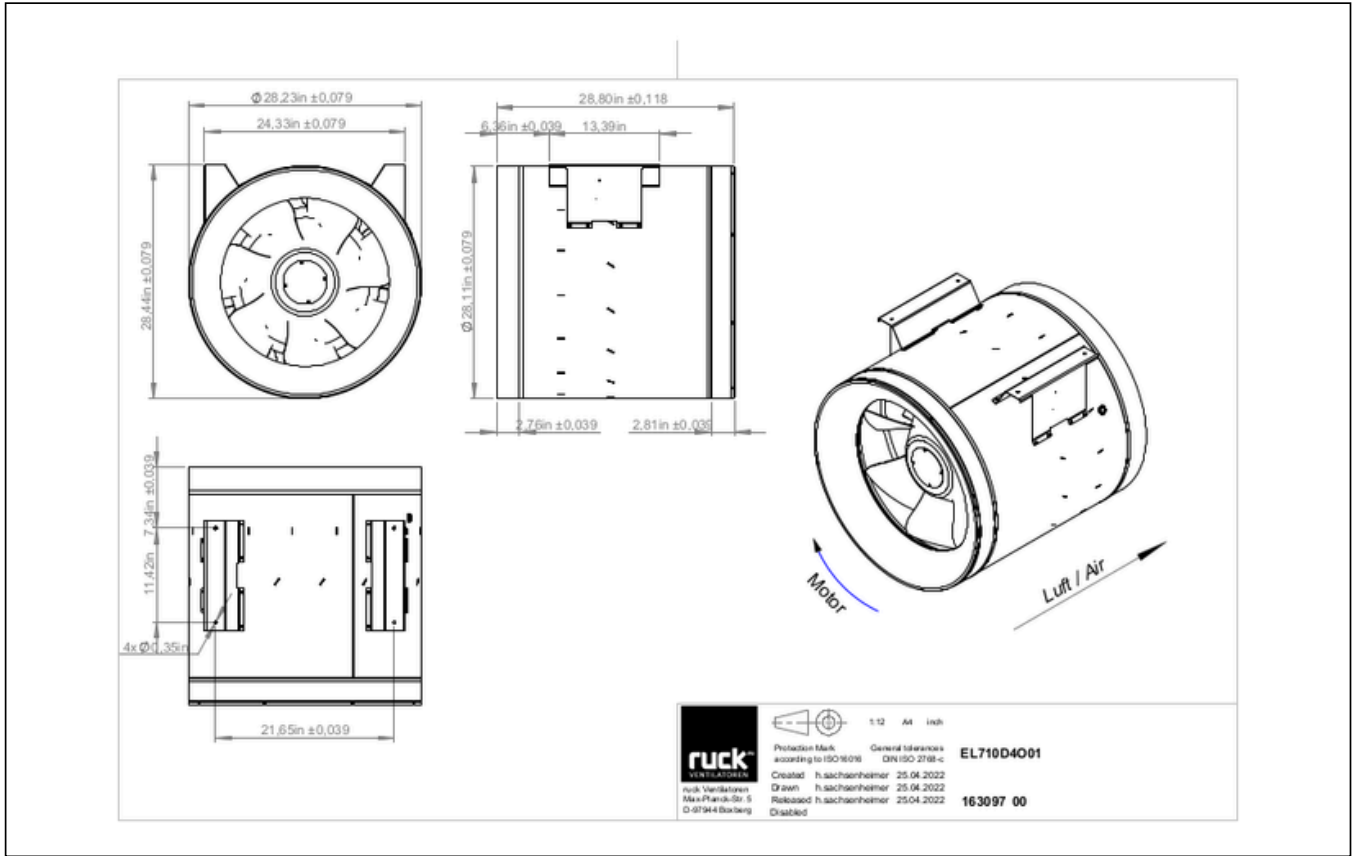
163097

ruck



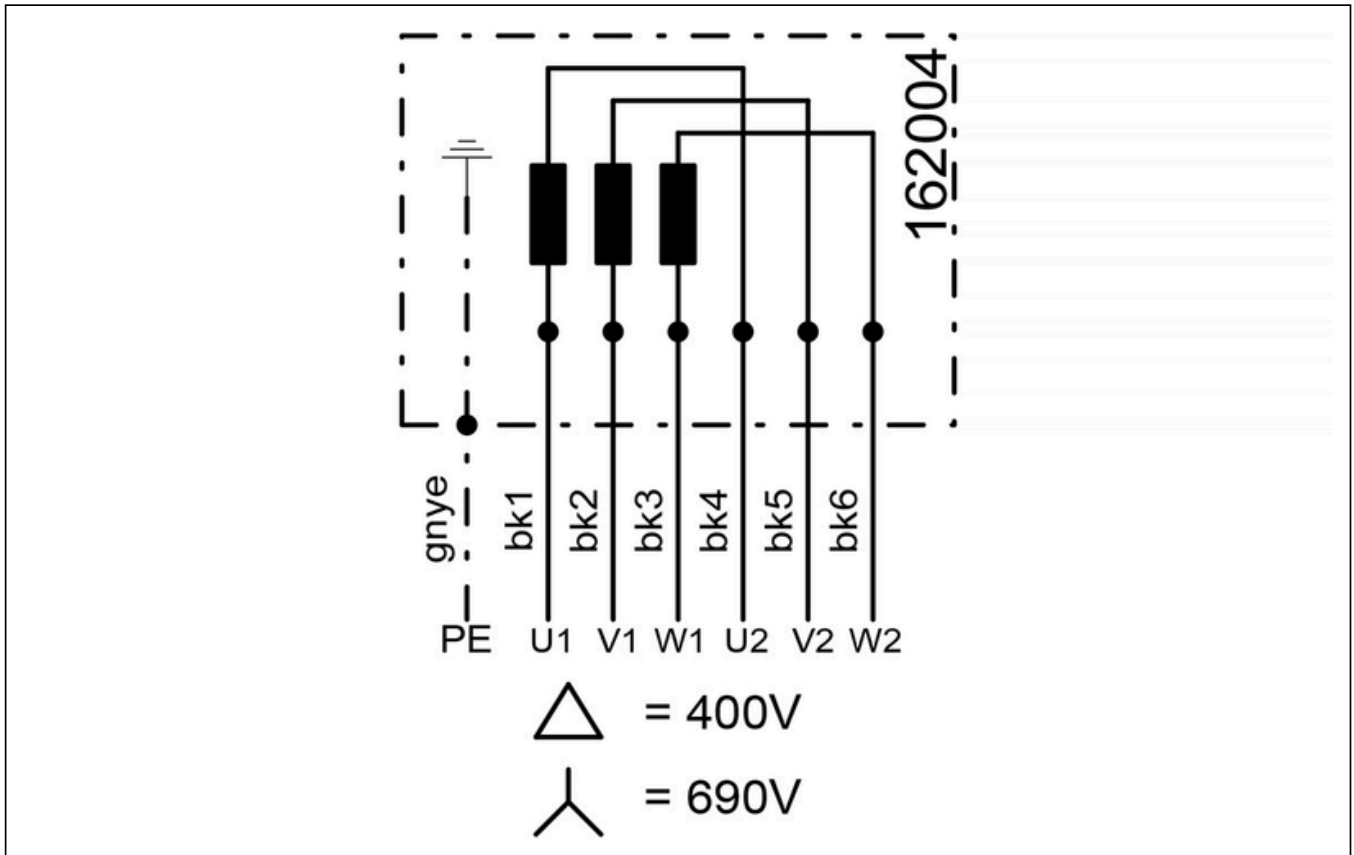
EL 710 D4 O 01

163097



EL 710 D4 O 01

163097



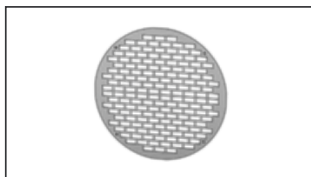
MECHANICAL ACCESSORIES

VM 710 | 119498



- Fast clamps for sound decoupling and sealing
- Galvanized steel sheet, 5 mm
- Neopren gasket
- 1 Pack = 2 pieces

SG 710 02 | 119414



- Inlet protection grille for Etaline
- Galvanized steel sheet



to the product detail page

ELECTRICAL ACCESSORIES

GS 03 | 107633



- Device switch
- $U_{max} = 400\text{ V}$, $I_{max} = 25\text{ A}$
- Switching capacity $400\text{ V } 3\sim = 7,5\text{ kW}$
- Protection class IP 55

MS 04 | 140413



- Motor protection switch with Isolator switchfunktion
- $I_{max} = 400\text{ V}$, 50/60 Hz
- Max. 4 kW
- Protection class IP 55

MTP 20 | 128146



- Potentiometer 10 k Ω
- Switching contact 1A/250V AC - 2,5A/12V DC
- Max. ambient temperature 50 °C
- VDE

MTP 30 | 143289



- Stepped potentiometer 10 k Ω
- Step 1 + 2 settable 10 % - 100 % Vdc
- Step 3 100 % Vdc
- Supply voltage+10 Vdc

MTP 40 | 147359



- Potentiometer 10 k Ω
- Connection in terminal box
- Max. ambient temperature 50 °C
- PU: 20 pieces

SEN AIR | 148641



- Airflow and temperature transducer
- Measuring range temperature 0...+50 °C
- With adjustable switching threshold (air speed)
- Measuring range air velocity up to 20 m/s

CON P1000 | 115259



- Constant pressure control
- Actual value display possible via optional control unit
- Output 0-10 V DC + FC enable + setpoint reached
- Pressure setting by means of decade switch

FU 55 08 | 146746



- Frequency converter
- Supply voltage 400 V 3~ 50/60 Hz
- Output voltage 0 - 400 V 3~
- Fire mode function (smoke extract fans)

FU 55 07 | 146745



- Frequency converter
- Supply voltage 400 V 3~ 50/60 Hz
- Output voltage 0 - 400 V 3~
- Protection class IP 20, for switch cabinet

MTP 50 | 168752



- Potentiometer with multifunction output
- 230 VAC $\pm 10\%$ / 50-60 Hz
- Selectable output: 1-10 VDC / 2-20 mA / 10-100 % PWM
- Min. and max. output value adjustable

